

Fig.1 Cylinder 汽缸

NO	PART NUMBER	DES.	CHINESE	Q'ty	SPECIEICATION
1	AA02-2A049-000	Head, Cylinder	汽缸蓋	1	49cc
2	AA03-2A050-000	Gasket Cylinder Herd	汽缸蓋墊片	1	50cc
3	AA01-2A050-000	Spark, Plug Resist	火星塞	1	TUM
4	AA04-2A049-000	Cylinder	汽缸	1	49cc
5	AA05-2A050-000	Gasket, Cylinder	汽缸墊片	1	50cc
6	C27-07110	Bolt, Stud	雙頭螺栓	4	M7×110
7	D04-07	Nut, Flange	六角綠面螺帽	4	M7

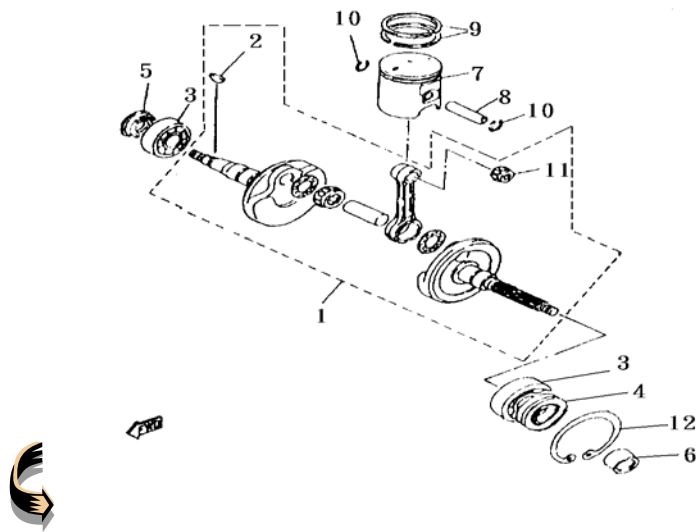


Fig.2 Crankshaft, Piston, Rod 曲軸、活塞、連桿

NO	PART NUMBER	DES.	CHINESE	Q'ty	SPECIEICATION
1	AB00-2A050-000	Crankshaft, Ass'y	曲軸總成	1	
2	D07-0313	Key, Woodruff	半月鍵	1	3×13
3	D21-6204	Bearing	軸承	2	6204
4	D16-20428	Seal, Oil	油封	1	20×42×8
5	D16-20306	Seal, Oil	油封	1	20×30×6
6	D22-1520012	Collar	曲軸軸環	1	15.1×20×12
7	AB06-2A050-000	Piston (std.)	活塞	1	
8	AB08-2A050-000	Pin, Piston	活塞銷	1	
9	AB05-2A050-000	Ring Set, Piston (std.)	活塞環組	1	
10	D13-11120	Clip	夾環	2	
11	D23-101412	Bearing, Cylindrical	小端軸承	1	50CC
12	D09-R42	Inner Sanp Ring	內扣環	1	R42

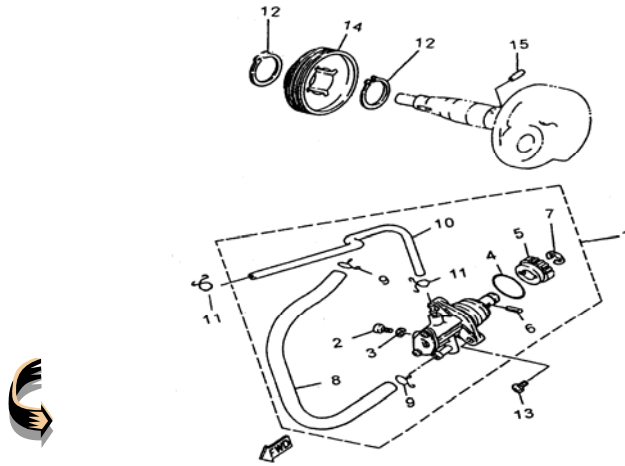


Fig.3 Oil Pump 潤滑油泵

NO	PART NUMBER	DES.	CHINESE	Q'ty	SPECIEICATION
1	AF00-2A050-000	Oil Pump Ass'y	機油泵總成	1	
2	D02-04016	Bolt, Pan Head	十字圓頭螺絲	1	M4×16
3	D11-040805	Washer, Plate	平面墊圈	1	4×8.5×0.5
4	D18-18816	Oil-Ring	O型環	1	
5	AF01-2A050-000	Gear, Worm Wheel	齒輪	1	
6	D37-0312	Pin, Dowel	定位銷	1	3×12
7	D01-ETW7	Clip	止夾	2	ETW-7
8	D17-4808370	Hose	油管	1	4.8×8×370
9	AF00-D10-0808	Clip	止夾	2	8×0.8
10	D17-2005370	Hose	油管	1	2×5×370
11	D38-0506	Clip	止夾	2	5×0.6
12	D08-S19	Circlip	外扣夾	2	S-19
13	D02-05016	Screw, Pan Head	十字圓頭螺絲	2	M5×16
14	AD01-2A050-000	Gear, Pump Drive	驅動齒輪	1	
15	D15-0311	Pin, Dowel	定位銷	1	NR3×11.8

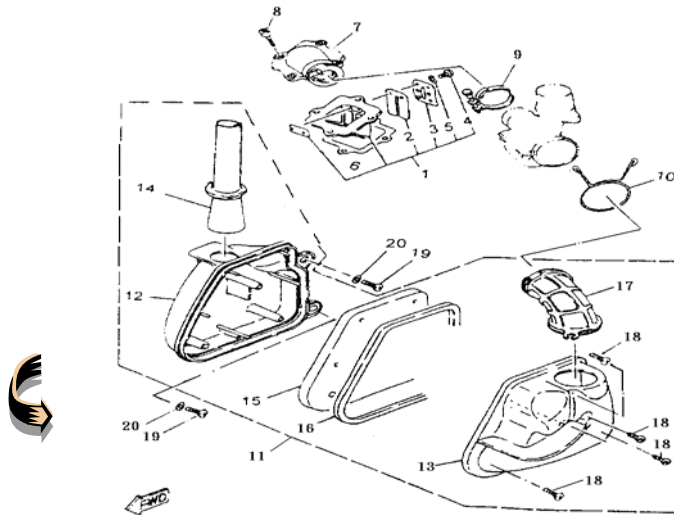


Fig.4 Air Cleaner 空氣濾清器

NO	PART NUMBER	DES.	CHINESE	Q'ty	SPECIEICATION
1	AH00-2A050-000	Reed Valve, Ass'y	進氣閥總成	1	
2	AH03-2A050-000	Reed	簧片	2	
3	AH02-2A050-000	Stopper, Reed Valve	簧片停止器	2	
4	AH00-D02-03008	Screw, Pan Head	十字圓頭螺絲	4	M3×8
5	AH00-D11-030605	Washer, Plate	平面墊圈	4	3×6×5
6	AH04-2A050-000	Gasket, Valve Seat	閥座墊片	1	
7	AH01-2A050-000	Manifold, Intake	進氣歧管	1	
8	D03-06020	Hex. Nut	內六角承窩螺柱	4	M6×20
9	D20-3208	Clamp, Hose	軟管夾	1	
10	D10-4023	Clip	止夾	1	40×2.3
11	AG00-2A050-000	Air Cleaner, Ass'y	空氣濾清器總成	1	
12	AG01-2A050-000	Case, Air Cleaner	空氣濾清器箱	1	
13	AG02-2A050-000	Cap, Cleaner Case	空氣濾清器箱蓋	1	
14	AG06-2A050-000	Dust	防塵管-彎管型	1	
15	AG03-2A050-000	Element, Air Cleaner	空氣濾蕊	1	
16	AG04-2A050-000	Seal	封圈	1	
17	AG05-2A050-000	Joint, Air Cleaner	接頭	1	
18	K12-0526	Screw, Tapping	自攻螺絲	4	M5×26
19	K02-06020	Screw, Pan Head	十字圓頭螺絲	2	M6×20
20	D11-061310	Washer, Plate	平墊圈	2	6×13×1.0

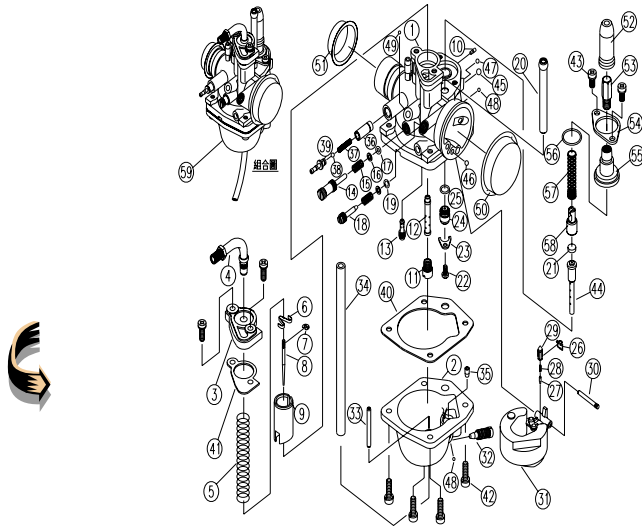


Fig.5 Carburetor 化油器

NO	PART NUMBER	DES.	CHINESE	Q'ty	SPECIEICATION
1	AI00-B02222-H68C	Body	本體	1	
2	AI00-B05432-H68A	Oil Cistern	油杯	1	
3	AI00-B05442-H68A	Bending Tube Cover	彎管蓋	1	
4	AI00-A30210-H68A	Bending Tube Assy	彎管組	1	
5	AI00-G10530-H68A	Spring	節流閥彈簧	1	
6	AI00-H30110-H68A	Spring Plate	彈簧片	1	
7	AI00-W20210-H68A	E Clamp	E型扣環	1	
8	AI00-B30192-H68B	Oil Needle	油針	1	
9	AI00-B40072-H68A	Throttle Valve	節流閥	1	
10	AI00-H60020-H68A	Pin	插銷	1	
11	AI00-D01812-H68B	Main Jet	主油路噴嘴	1	
12	AI00-D01780-H68B	Sprayer	噴霧器	1	
13	AI00-D02542-H68C	Pilot Jet	副油路噴嘴	1	
14	AI00-D30090-H68A	Throttle Screw	節流螺絲	1	
15	AI00-G10520-H68A	Spring	彈簧	2	
16	AI00-D05140-H68A	Washer	墊圈	2	
17	AI00-F02740-H68A	O-ring	O型環	1	
18	AI00-D15110-H68A	Air Adjustment Axle	空氣調節軸	1	
19	AI00-F02750-H68A	O-ring	O型環	1	

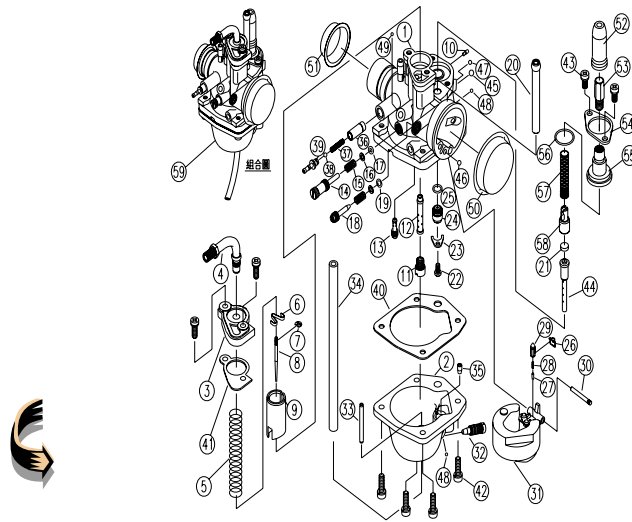


Fig.5-1 Carburetor 化油器

NO	PART NUMBER	DES.	CHINESE	Q'ty	SPECIEICATION
20	AI00-D01590-H68A	Intake Oil Hoce	入油管	1	
21	AI00-F20170-H78A	Starter Rubber	起動器橡膠塞	1	
22	AI00-W10640-H68A	Screw	螺絲	1	
23	AI00-C10650-H68A	Locking Plate	鎖片	1	
24	AI00-D30102-H68A	Float Valve Seat	浮筒閥門座	1	
25	AI00-F02760-H68A	O-ring	O型環	1	
26	AI00-W20200-H68A	Clamp	扣環	1	
27	AI00-D15100-H68A	Axle	軸心	1	
28	AI00-G30160-H68A	Spring	彈簧	1	
29	AI00-B30200-H68A	Stopoil Needle	止油針	1	
30	AI00-H60010-H68A	Pin	定位銷	1	
31	AI00-E14010-H68A	Float	浮筒	1	
32	AI00-W10650-H68A	Drain Oil Screw	洩油螺絲	1	
33	AI00-D01580-H68A	Oil Spill Hose	溢油管	1	
34	AI00-E12100-H68A	Plastic Oil Hose	橡膠油管	1	
35	AI00-D05160-H68A	Starter Nozzle	起動器油嘴	1	
36	AI00-D30080-H68A	Stop Valveseat	止回閥座	1	
37	AI00-15E03-G01-0001	Spring	彈簧	1	
38	AI00-W50050-B81A	Ball	鋼珠	1	

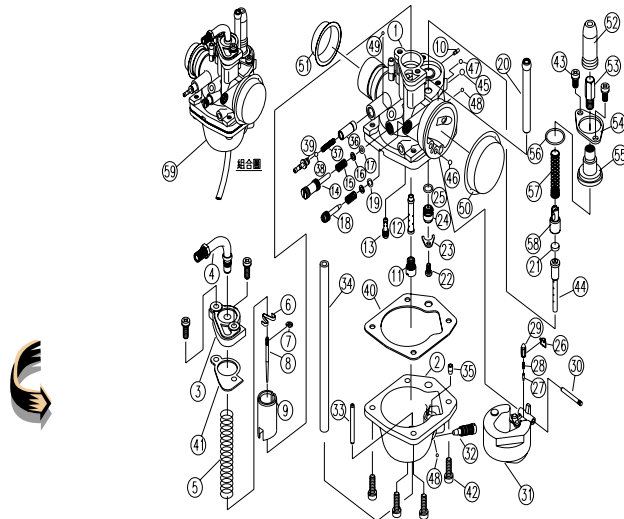


Fig.5-2 Carburetor 化油器

NO	PART NUMBER	DES.	CHINESE	Q'ty	SPECIEICATION
39	AI00-D01542-H68A	In Take Oil Hose	入油管	1	
40	AI00-X01230-H68A	Paper Gasket	紙墊片(大)	1	
41	AI00-X01220-H68A	Paper Gasket	紙墊片(小)	1	
42	AI00-W10160-C1NT	Screw	螺絲	6	
43	AI00-W10480-B12H	Screw	螺絲	2	
44	AI00-D02440-H68A	Start Sprayer	起動噴霧器	1	
45	AI00-W50110-H68A	Ball	銅珠	1	
46	AI00-W50120-H68A	Ball	銅珠	1	
47	AI00-W50010-B81H	Ball	銅珠	1	
48	AI00-W50130-H68A	Ball	銅珠	2	
49	AI00-W50070-B12H	Ball	銅珠	1	
50	AI00-E10170-H68A	Inner Dust Guard	入風塵套	1	
51	AI00-E10180-H68A	Outer Dust Guard	出風塵套	1	
52	AI00-F20200-H68H	Rubber Cover	橡膠套	1	
53	AI00-D02430-H68H	Oil Duct	油線導管	1	
54	AI00-C10720-H68A	Starter Fixed Plate	起動器固定片	1	
55	AI00-E30062-H68H	Hand Starter Seat	手動器座塊	1	
56	AI00-F02770-H68A	O-ring	O型環	1	
57	AI00-G30310-H78A	Starter Spring	起動器彈簧	1	
58	AI00-D02420-H68H	Starter Piston	起動器活塞	1	
59	AI00-2A050-00B	Carburetor Ass'y	手動化油器總成	1	AM3 ψ12

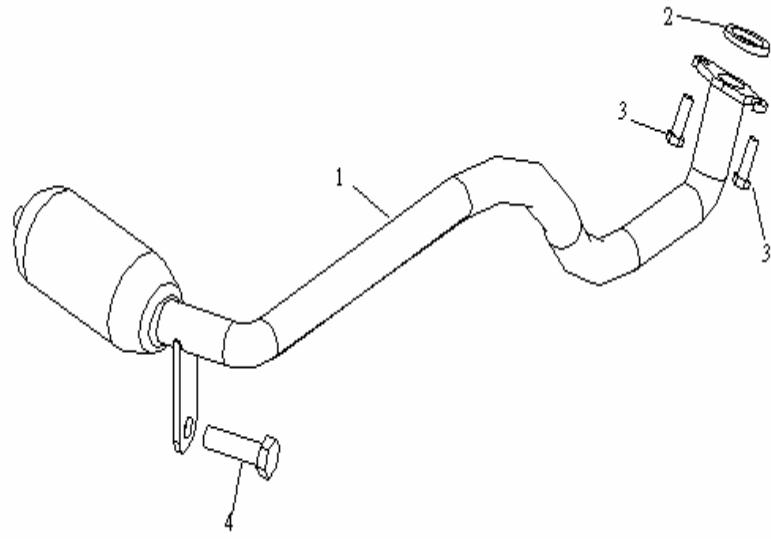


Fig.6 Exhaust 排氣管裝置

NO	PART NUMBER	DES.	CHINESE	Q'ty	SPECIEICATION
1	AJ00-2A049-000	Exhaust Pipe Ass'y	排氣管總成	1	
2	AJ01-2A050-000	Gasket, Exhaust Pipe	排氣管墊片	1	25.4×34×4
3	D32-06018	Bolt, Flange	六角緣面螺栓	2	M6×18
4	K32-08020	Bolt, Flange	六角緣面螺栓	1	M8×20



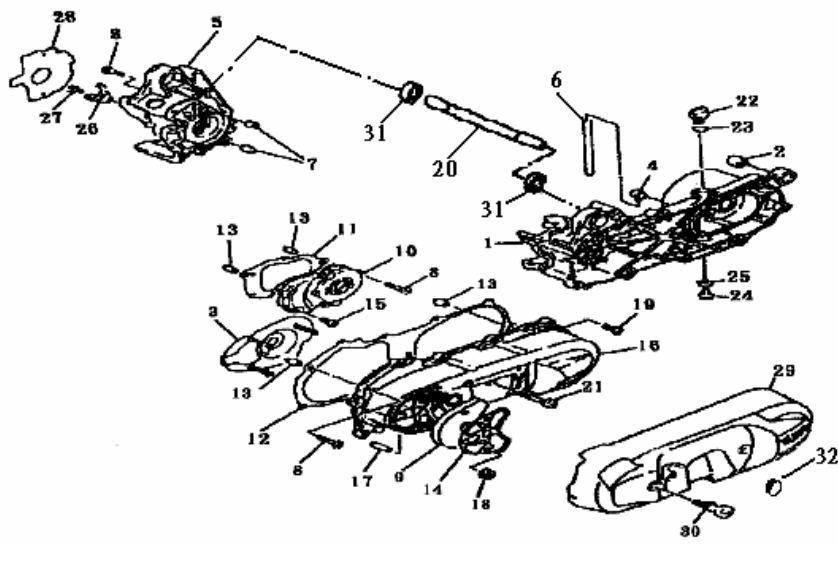


Fig.7 Crankcase 曲軸箱

NO	PART NUMBER	DES.	CHINESE	Q'ty	SPECIEICATION
1	AK01-2A050-000	Crankcase, L.	左曲軸箱	1	
2	D25-082020	Bush	緩衝襯套	1	8×20×18/20
3	AK20-2A050-000	Plate	板	1	
4	AK10-2A050-000	Breather	通氣管接頭	1	
5	AK02-2A049-000	Crankcase, R.	右曲軸箱-削平	1	
6	D39-0507090	Hose	透明管	1	5×7×90
7	D15-1216	Pin, Dowel	定位銷	2	12×16
8	D02-06035	Screw, Pan Head	十字圓頭螺絲	10	M6×35
9	AK12-2A050-000	Filter	濾清器	1	
10	AK03-2A050-000	Cover, Transmission	變速箱蓋(右)	1	(右曲軸箱蓋)
11	AK06-2A050-000	Gasket, Transmission	變速箱蓋墊片	1	
12	AK07-2A050-000	Gasket, Crankcase Cover L.	左曲軸箱蓋墊片	1	
13	D15-1014	Pin, Dowel	定位銷	4	10×14
14	AK13-2A050-000	Guide, Element	導件	1	
15	D02-06020	Screw, Pan Head	十字圓頭螺絲	3	M6×20
16	AK04-2A050-000	Cover, Crankcase L.	左曲軸箱蓋	1	
17	AK31-2A050-000	Shaft, Idle Gear	惰齒輪軸	1	S 8×31
18	C04-06	Nut, Flange	六角緣面螺帽	3	M6
19	D02-06025	Screw, Pan Head	十字圓頭螺絲	8	M6×25
20	C22-1217103	Spacer, Tube	曲軸箱套管(A)	1	12×17×103
21	D02-06060	Screw, Pan Head	十字圓頭螺絲	1	M6×60

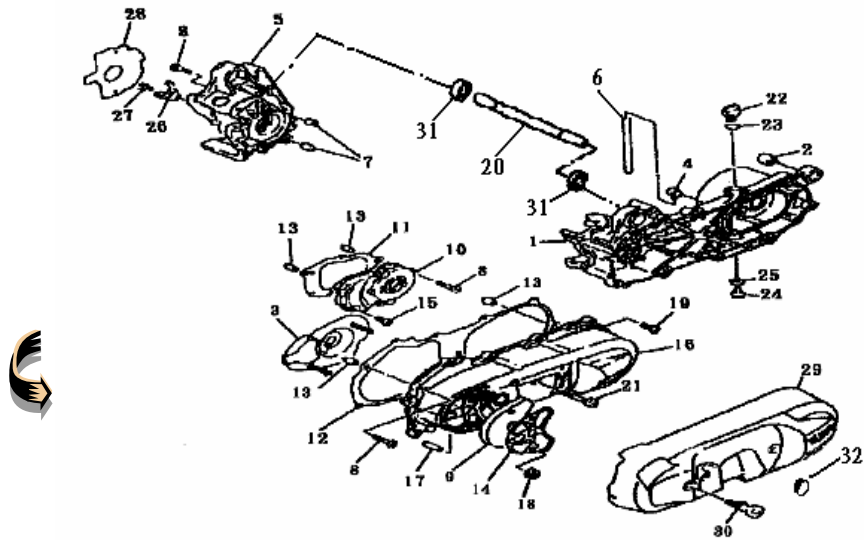


Fig.7A-1 Crankcase 曲軸箱

NO	PART NUMBER	DES.	CHINESE	Q'ty	SPECIEICATION
22	AK09-2A050-000	Plug, Oil	油標塞	1	M14×1.5×15L
23	D18-13825	O-Ring	O型環	1	13.8×2.5
24	D32-08016	Bolt, Flange	六角緣面螺栓	1	M8×16
25	D30-081512	Washer, Cu	銅墊圈	1	8.2×15×1.2
26	AK32-2A050-000	Holder	油封支座	1	
27	D02-06010	Screw, Pan Head	十字圓頭螺絲	1	M6×10
28	AK05-2A050-000	Gasket, A.C.G	磁電機墊片	1	
29	AK28-2A050-000	Cover, Crankcase L.	左曲軸箱外蓋-標準	1	
30	AK33-2A050-000	Bolt, Special	特殊螺絲	2	6×23
31	D25-123538	Bush	緩衝襯套	2	FB0232
32	FB00-FK090-052	Pipe Cork	圓內塞	1	25,4

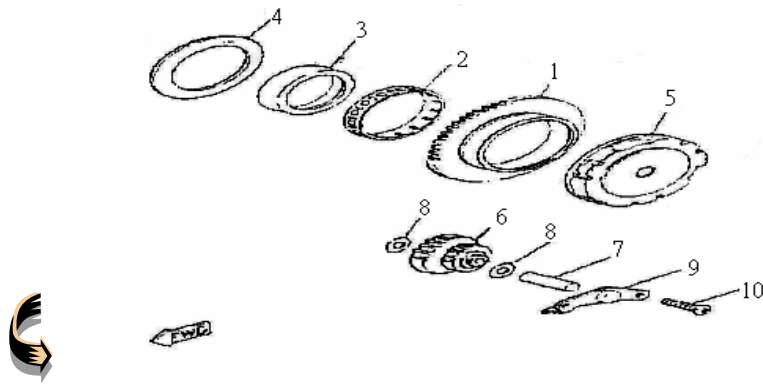


Fig.8 Starter 起動機構

NO	PART NUMBER	DES.	CHINESE	Q'ty	SPECIEICATION
1	AL03-2A050-000	Wheel, Starter	啟動齒輪	1	68T
2	D23-5559125	Bearing, Cylindrical	滾針軸承	1	55×59×12.5
3	AL10-2A050-000	Boss, Gear	齒輪殼	1	
4	D11-567606	Wheel, Plate	平整圈	1	56×76×0.6
5	AL04-2A050-000	Clutch Ass'y, Starter	起動離合器總成	1	
6	AL06-2A050-000	Idle Gear Ass'y	惰齒輪總成	1	
7	AK31-2A050-000	Shaft, Idle Gear	惰齒輪軸	1	
8	C11-081816	Washer, Plate	平整圈	2	8×18×1.6
9	AK08-2A050-000	Plate, Idle Gear	惰齒輪板	1	
10	D02-06010	Screw, Pan Head	十字圓頭螺絲	2	M6×10

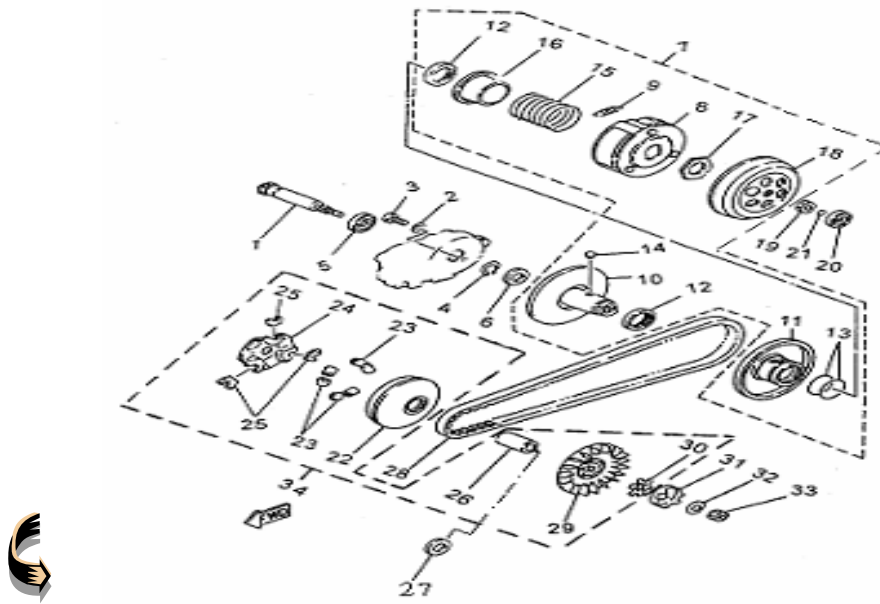


Fig.9A Clutch 離合器

NO	PART NUMBER	DES.	CHINESE	Q'ty	SPECIEICATION
1	AQ01-2A050-000	Primary Gear, Drive	主驅動齒輪	1	
2	D11-061912	Washer, Plate	平整圈	1	6×19×1.2
3	D02-06010	Screw, Pan Head	十字圓頭螺絲	1	M6×10
4	D08-S17	Circlip	外扣環	1	S-17
5	D21-6003	Bearing	軸承	1	6003
6	D16-172855	O-Seal	油封	1	17×28×5.5
7	AN00-2A050-000	Pulley Ass'y, Driven	副槽輪總成(後普利)	1	
8	AN01-2A050-000	Clutch Carrier Ass'y	牽轉器總成	1	
9	AN07-2A050-000	Spring, Clutch	離合器重量彈簧	3	
10	AN02-2A050-000	Fixed Sheave Comp., Driven	副固定槽輪	1	
11	AN03-2A050-000	Sliding Sheave, Driven	副滑動槽輪	1	
12	D16-33394	Oil-Seal	油封	2	33×39×4
13	D18-36020	Oil-Ring	O型環	2	36×2
14	AN04-2A050-000	Pin, Guide	導銷	1	
15	AN08-2A050-000	Spring, Compression	壓縮彈簧	1	
16	AN05-2A050-000	Seat, Compression Spring	壓縮彈簧座(套筒)	1	
17	AN06-2A050-000	Nut	螺帽	1	
18	AP01-2A050-000	Clutch Housing	離合器殼	1	
19	G04-10	Nut, Flange	六角緣面螺帽	1	M10

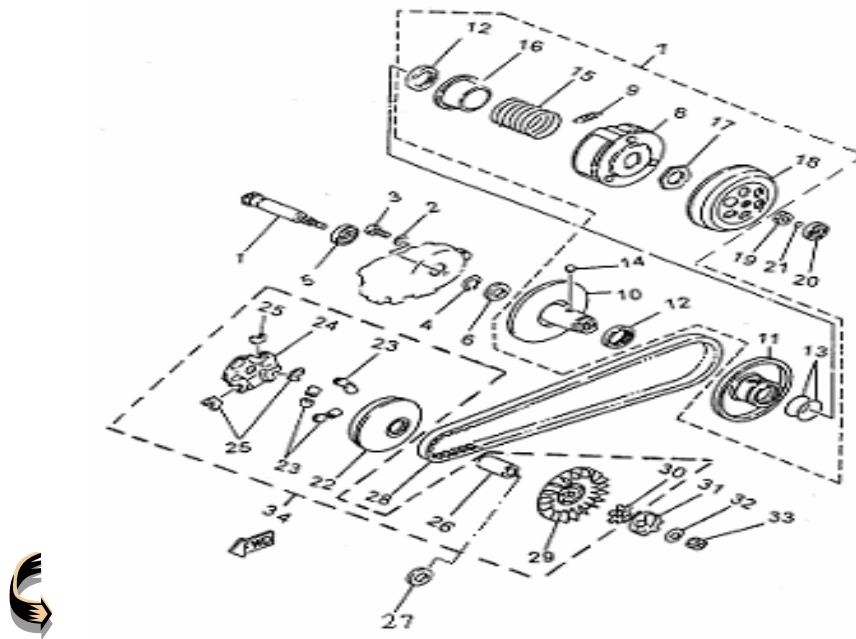


Fig.9A-1 Clutch 離合器

NO	PART NUMBER	DES.	CHINESE	Q'ty	SPECIEICATION
20	D21-638ZZ	Bearing	軸承	1	638ZZ
21	D18-06431	Oil-Ring	O型環	1	6.4×3.1
22	AM01-2A050-000	Primary, Sliding Sheave	主滑動槽輪	1	
23	AM06-2A050-000	Weight, Roller	重錘滾子	6	
24	AM03-2A050-000	Plate, Cam	凸輪板	1	
25	AM04-2A050-000	Slider	滑件	3	
26	D22-131838	Coliar	軸環	1	13×18×38
27	D11-131810	Weight, Plate	平墊圈	1	13×18×1
28	AP03-2A050-000	Belt	皮帶	1	
29	AM02-2A050-000	Fixed Sheave, Primary	主固定槽輪	1	
30	AM05-2A050-000	Washer, Claw	鉗墊圈	1	
31	AP02-2A050-000	Clutch, Oneway	單向離合器	1	
32	D26-102425	Washer, Concial Spring	錐形彈簧墊圈	1	10.2×24×2.5
33	D06-10	Nut	螺帽	1	M10
34	AM00-2A050-000	Primary, Sliding Ass'y	主滑動槽輪(前普利)	1	
35	D22-1825080	O-RING FOR SPEED	限速套環	1	

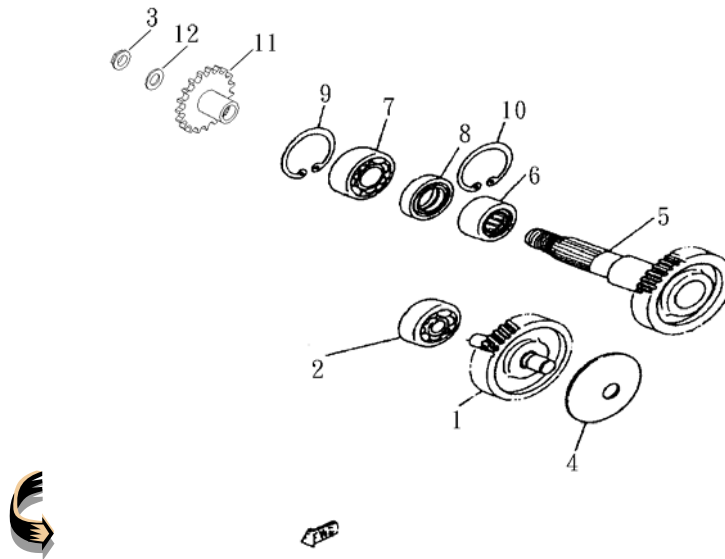


Fig.10A Transmission 傳動機構

NO	PART NUMBER	DES.	CHINESE	Q'ty	SPECIEICATION
1	AQ02-2A050-000	Main Axle Ass'y	惰輪軸總成	1	48/12T
2	D21-6201	Bearing	軸承	1	6201
3	C33-14	Nut, Lock (U Type)	U型止鬆螺帽	1	M14
4	D26-126005	Washer, Conical Spring	錐形彈簧墊圈	1	
5	AQ03-2A050-000	Drive Axle Ass'y	驅動軸總成	1	36T
6	D21-2515	Bearing	軸承	1	2515
7	D21-6004LLU	Bearing	軸承	1	6004LLU
8	D16-25356	Oil-Seal	油封	1	25×35×6
9	D09-R42	Circlip	內扣環	1	R-42
10	D09-R32	Circlip	內扣環	1	R-32
11	AQ04-2A049-000	Sprocket, Drive	驅動鏈輪	1	420-19T
12	G11-142620	Washer, Plate	平墊圈	1	

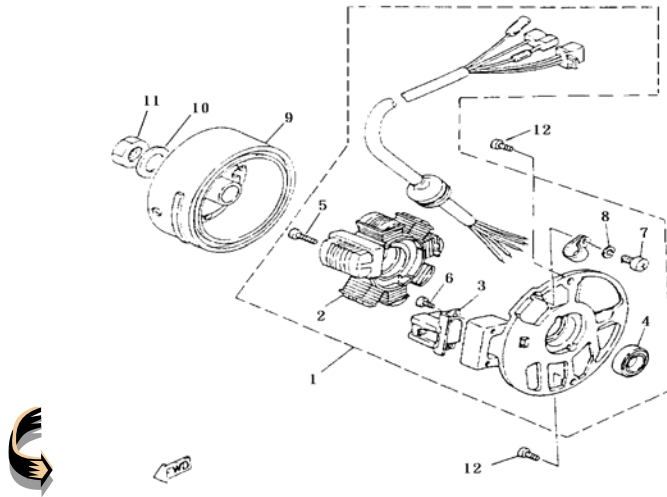


Fig.11 Generator 發電機

NO	PART NUMBER	DES.	CHINESE	Q'ty	SPECIFICATION
1	AR00-2A050-000	Base Ass'y	發電機座總成	1	
2	AR01-2A050-000	Stator Comp	電樞總成	1	
3	AR02-2A050-000	Coil, Pulser	脈動線圈	1	
4	D16-18265	Oil-Seal	油封	1	18.5×26×5
5	D02-05020	Screw, Pan Head	十字圓頭螺絲	2	M5×20
6	D02-05010	Screw, Pan Head	十字圓頭螺絲	2	M5×10
7	D02-04008	Screw, Pan Head	十字圓頭螺絲	1	M4×8
8	D24-040610	Washer, Spring	彈簧墊圈	1	4×6.5×1
9	AR03-2A050-000	Rotor, Ass'y	轉子總成	1	
10	D11-102216	Washer, Plate	平整圈	1	10×22×1.6
11	C04-10	Nut	螺帽	1	M10
12	D02-06016	Screw, Pan Head	十字圓頭螺絲	2	M6×16

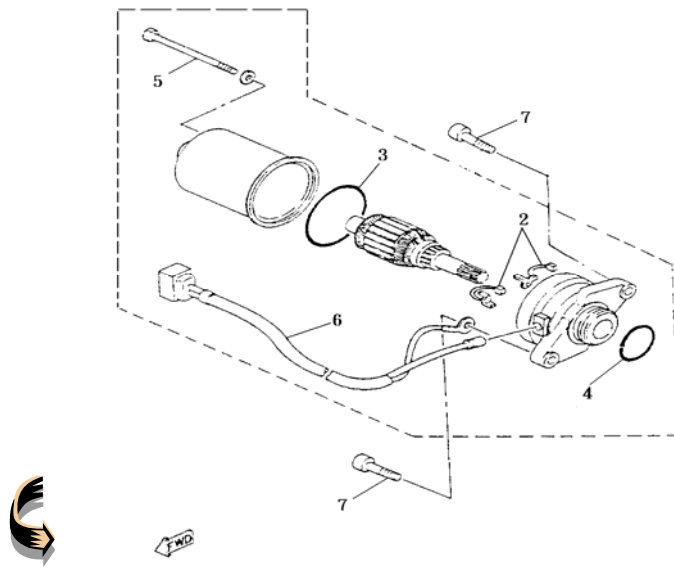


Fig.12 Starting Motor 起動馬達

NO	PART NUMBER	DES.	CHINESE	Q'ty	SPECIEICATION
1	AT00-2A050-000	Starter Motor Ass'y	起動馬達總成	1	
2	AT01-2A050-000	Brush Set	電刷組	1	
3	D18-43015A	Oil-Ring	O型環	1	43×1.5
4	D18-21917	Oil-Ring	O型環	1	21.9×1.7
5	D02-04065	Screw, Pan Head	十字圓頭螺絲	1	M4×65
6	AT05-2A050-000	Cord Comp	起動馬達線	1	
7	D03-06020	Screw, Pan Head	十字圓頭螺絲	2	M6×20



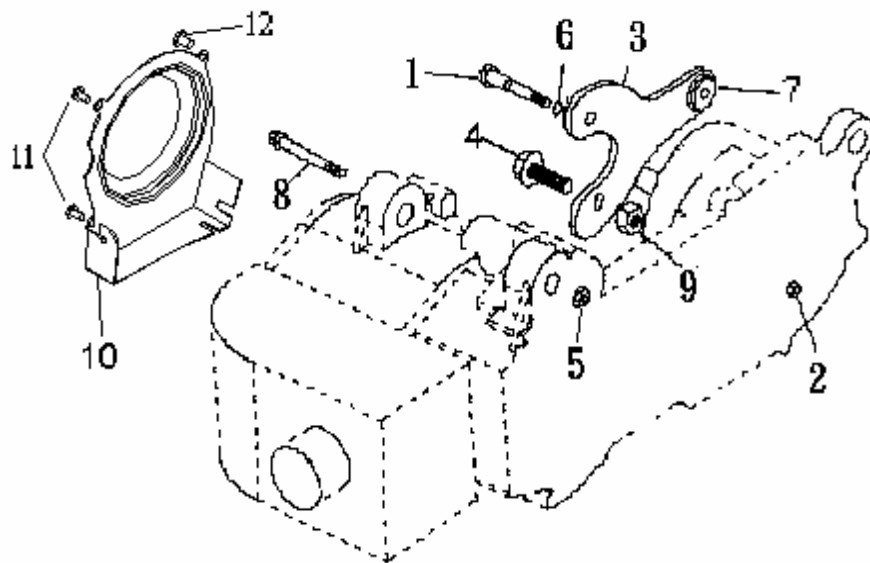


Fig.13A Engine Bracket 發電機支架

NO	PART NUMBER	DES.	CHINESE	Q'ty	SPECIEICATION
1	FA01-2A050-000	Shaft, Connecting Plate	連接板銷軸	1	
2	C04-08	Nut, Flange	六角緣面螺帽	1	M8
3	FA02-2A050-000	Plate, Connecting	連接板	1	
4	C44-12050	Bolt, Flange	六角螺栓	1	M12*50
5	C04-12	Nut, Lock (U Type)	U型止鬆緣面螺帽	2	M12
6	D18-06819	Oil-Ring	O型環	1	6.8×1.9
7	D25-082020	Bush	緩衝襯套	1	8×20×18/20
8	D32-12205	Bolt, Flange	六角緣面螺栓	1	M12*205
9	D33-12	Nut, Lock (U Type)	U型止鬆緣面螺帽	1	M12
10	AC03-X2049-000	Outer Cover of Switchboard	電盤外蓋	1	
11	K32-06012	Bolt, Flange	六角緣面螺栓	2	M6*12
12	K32-08012	Bolt, Flange	六角緣面螺栓	1	M8*12

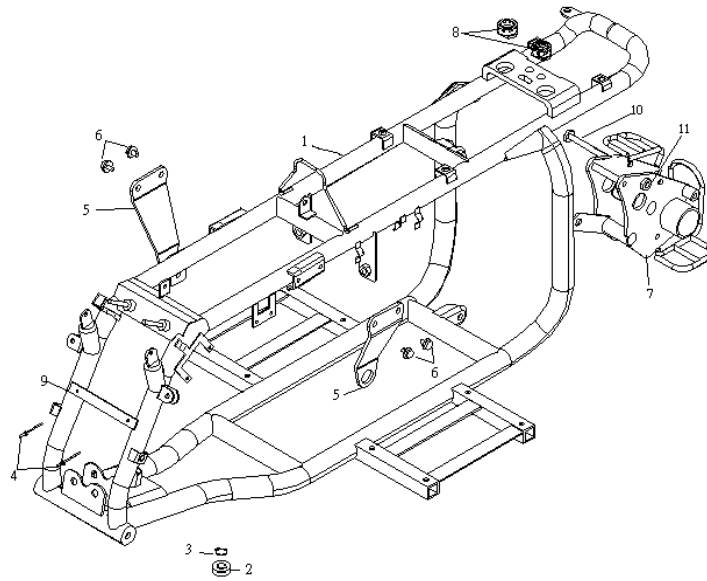


Fig.14A Frame 車架

NO	PART NUMBER	DES.	CHINESE	Q'ty	SPECIEICATION
1	FB00-BX050-000	Frame	車架-加焊補強管	1	
2	D21-6002VV	Bearing	軸承	1	
3	D09-R32	Circlip	內扣環	1	R-32
4	D14-03	Rivet	拉釘	2	Ø3
5	FC03-X2049-000	Engine Bracket Plate	引擎上懸吊板	2	
6	K32-08016	Bolt, Flange	六角緣面螺栓	4	M8×16
7	FW15-X2049-000	Engine connecting bracket	引擎連結座	1	
8	FC00-CX050-000	Seat Rear Shock Absorber	緩衝墊	2	13×37×23
9	FC07-CX050-000	Plate, Frame	車身銘牌	1	
10	C32-08125	Bolt, Flange	六角緣面螺栓	1	M8×125
11	D33-08	Nut, Lock (U Type)	U型止鬆螺帽	1	M8



1	FQ00-X2049-00	Seat Ass'y	座墊	1	
2	FQ01-CX050-000	Hook, Seat Fixed	座墊扣鉤	1	
3	D04-06	Hook, Flange	六角緣面螺帽	2	M6
4	GD03-MAGIC-00	Owner's Manual	隨車手冊	1	MAGIC

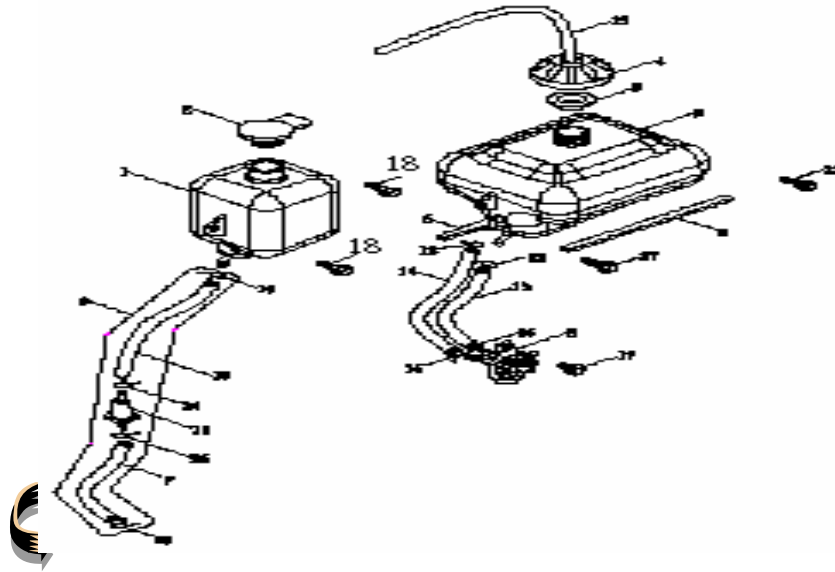


Fig.16 Oil Tank, Fuel Tank 機油箱、汽油箱

NO	PART NUMBER	DES.	CHINESE	Q'ty	SPECIEICATION
1	FR01-FK090-000	Tank, Oil	機油箱	1	
2	FR05-CX050-000	Cap, Oil Tank	機油箱蓋	1	塞式
3	FR02-X2049-000	Tank, Fuel	汽油箱	1	
4	FR10-CX050-000	Cap, Fuel Tank	汽油箱蓋	1	
5	FR07-CX050-000	Protective, Fuel Tank Cover	油箱蓋護套	1	PK4128
6	FR06-CX050-000	Pad, Fuel Tank	汽油箱緩衝墊	2	L=130
7	D17-4810075	Tube, Oil	汽油管	1	L=75
8	FR03-CX050-000	Cup Ass'y, Fuel	汽油開關	1	
9	FR04-CX050-000	Filter Ass'y, Fuel	汽油濾清器總成	1	
10	D17-5010160	Tube, Oil	汽油管	1	L=160
11	FR04-CX050-000-01	Filter Fuel	汽油濾清器	1	
12	D10-1208	Clip, Tube	止夾	2	十字型螺絲1/2"
13	D17-4810145	Tube, Oil	汽油管	1	L=145
14	D17-4810175	Tube, Oil	汽油管	1	L=175
15	D17-4810280	Breathe, Tube	通氣管	1	5×10×280
16	D18-0808	Clip, Tube	止夾	4	8×0.8
17	K32-06012	Bolt, Flange	六角緣面螺栓	2	M6×12
18	K28-06016	Bolt, Flange	六角緣面螺栓	2	M6×16

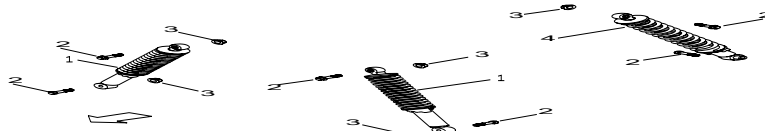


Fig.17 Suspension 避震器

NO	PART NUMBER	DES.	CHINESE	Q'ty	SPECIEICATION
1	FS01-X2049-000	Shock Absorber, Front	前避震器	2	L=200
2	K32-10040	Bolt, Flange	六角緣面螺栓	6	M10×40
3	D33-10	Nut, Insert Lock	U型止鬆螺帽	4	M10
4	FS02-X2049-000	Shock Absorber, Rear	後避震器	1	L=210

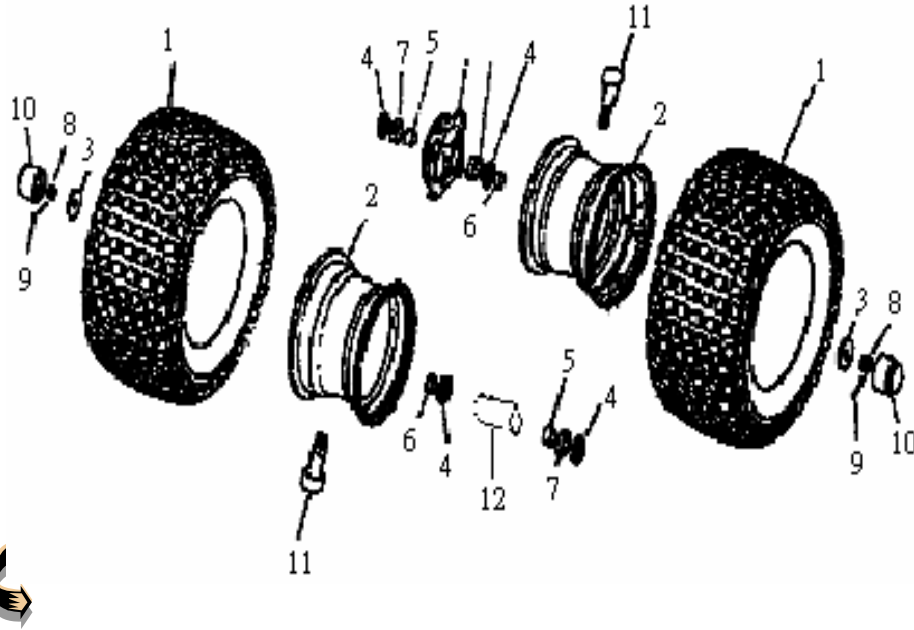


Fig.18 Front Wheel 前輪

NO	PART NUMBER	DES.	CHINESE	Q'ty	SPECIEICATION
1	FT02-X2049-000	Tyre	輪胎	2	HF240B 15×6-6
2	FT05-X2049-000	Rim	輪圈	2	6×4.5(中管130)
3	C11-124045	Washer, Plate	平墊圈	2	12.5×40×4.5
4	D16-22357	Oil-Seal	油封	4	22×35×7
5	D22-172308	Spacer, Inner	內襯軸套	2	17×123×8
6	D22-152110	Spacer, Outer	外套軸	2	15×21.7×10
7	K21-6003VV	Bearing	軸承	2	6003VV
8	C45-12R15	Nut, Insert Lock	開槽止鬆螺帽	2	M12*15t
9	D46-2832	Pin Cotter	開口銷	2	2.8×32
10	FT10-CX050-000	Cap, Rubber	護套	2	PK-6142
11	FT07CX050-000	Valve, Rim	風嘴	2	TR-412
12	D22-172327	Spacer, Inner	內軸套	1	17×23×27



Fig.19 Rear Wheel 後輪

NO	PART NUMBER	DES.	CHINESE	Q'ty	SPECIEICATION
1	FT02-X2049-000	Tyre	輪胎	2	HF240B 15×6-6
2	FT06-X2049-000	Rim	輪圈	2	拉刀140
3	D46-2832	Pin, Cotter	開口銷	2	2.8×32
4	C11-154045	Washer, Plate	平墊圈	2	15×40×4.5
5	C45-14R10.8	Nut, Insert Lock	開槽止鬆螺帽	2	M12
6	FT07-CX050-000	Valve, Rim	風嘴	2	TR-412
7	FT10-CX050-000	Cap, Rubber	護套	2	PJ-6142

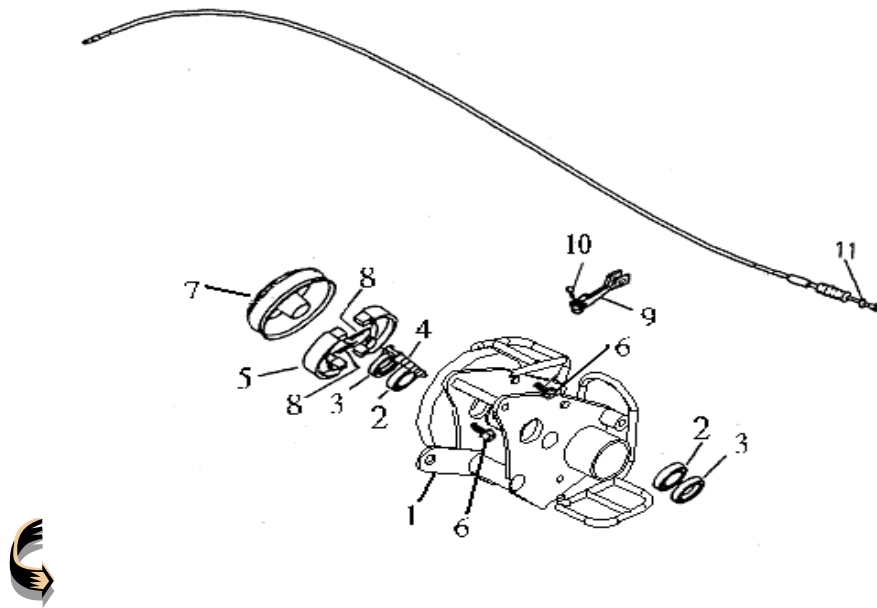
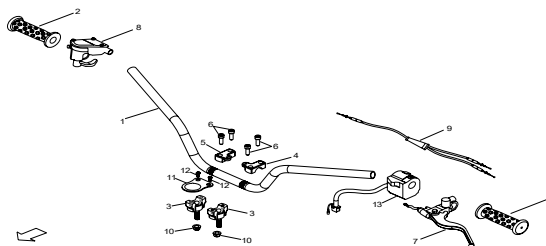


Fig.20A Rear Brake (Drum Brake) 後制車 (鼓煞)

NO	PART NUMBER	DES.	CHINESE	Q'ty	SPECIEICATION
1	FW15-X2049-000	Fix Seat, Rear Axle	引擎連結座	1	鐵
2	K21-6005VV	Bearing	軸承	2	6005VV
3	OS-3091-1	Oil-Seal	油封	2	35×47×8
4	FW02-CX050-000	Cam Shaft, Rear Brake	後制車凸輪軸	1	
5	FW09-CX050-000	Shoe, Rear Brake	後制車蹄塊(含彈簧)	1	Ø110
6	K32-08038	Bolt, Hex. Washer Plate	六角緣面螺栓	2	M8×38
7	FW01-CX050-000	Brake Drum, Rear	後制車殼	1	鐵
8	C48-1608037	Return Spring, Rear	後制車回位彈簧	1	Ø1.6Ø8.2Ø37
9	FW06-CX050-000	Arm, Rear Brake	後制車搖臂(含螺帽)	1	
10	C32-06032	Bolt, Hex. Washer Plate	六角緣面螺栓	1	M6×32
11	FU07-X2049-000	Rear Brake cable	後制車導線	1	



5	FX08-CX050-000	Clamp Cap, Handlebar R.	右上壓座	1	
6	K03-06025	Screw, Hex. Socket	六角承窩螺栓	4	
7	FX03-X2049-000	Level Ass'y, L.	左煞車拉桿組	1	
8	FX24-X2049-000	Throttle Base	加油座	1	
9	FU08-X2049-000	Cable, Throttle	油門導線	1	
10	D33-10	Nut, Nylon Insert Lock	U型止鬆螺帽	2	M10
11	FZ30-X2049-000	Main Switch Fixed Seat	電源鎖固定座	1	
12	K32-06012	Bolt, Hex. Washer Plate	六角緣面螺栓	2	M6×12
13	FX21-X2049-000	Switch, Ass'y L.	左開關總成	1	

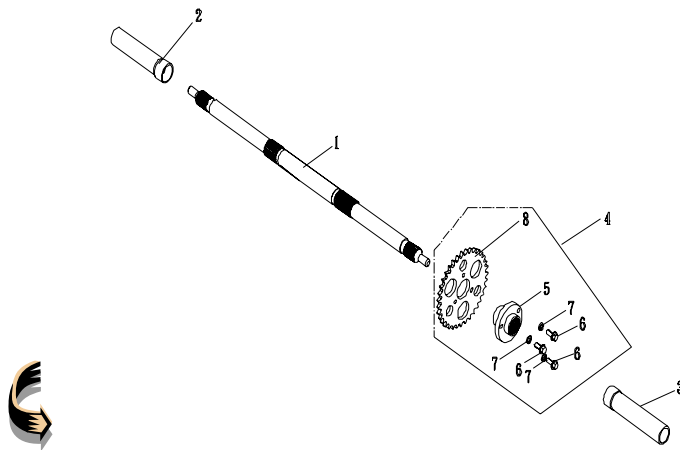


Fig.22A Rear Wheel Axle(W/O Reverse) 後輪軸 (無倒檔)

NO	PART NUMBER	DES.	CHINESE	Q'ty	SPECIEICATION
1	FY01-X2049-000	Wheel Axle, Rear	後輪軸	1	664mm
2	FY04-X2049-000	Spacer Tube, R. (Long)	後軸右套管	1	25×30×157
3	FY03-X2049-000	Spacer Tube, L. (Short)	後軸左套管	1	25×30×137
4	FY02-X2049-000	Sprocket, Driven Ass'y (28T)	後鏈輪總成(28T)	1	420-28T
5	FY05-X2049-000	Sprocket Holder, Driven	後鏈輪固定座	1	
6	K32-08020	Bolt, Hex. Washer Plate	六角緣面螺栓	3	M8×20
7	K24-081520	Washer, Spring	彈簧墊圈	3	8×15.4×2
8	FY12-X2049-000	Sprocket, Driven (28T)	後齒輪盤(28T)	1	420-28T

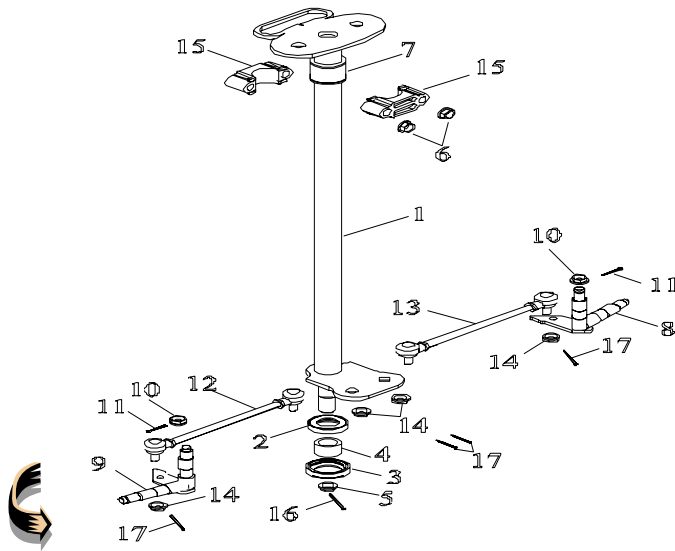


Fig.23 Steering 方向柱

NO	PART NUMBER	DES.	CHINESE	Q'ty	SPECIFICATION
----	-------------	------	---------	------	---------------



16	D46-2832	Pin, Cotter	開口銷	1	2.8×32
17	D46-2332	Pin, Cotter	開口銷	4	2.3×32

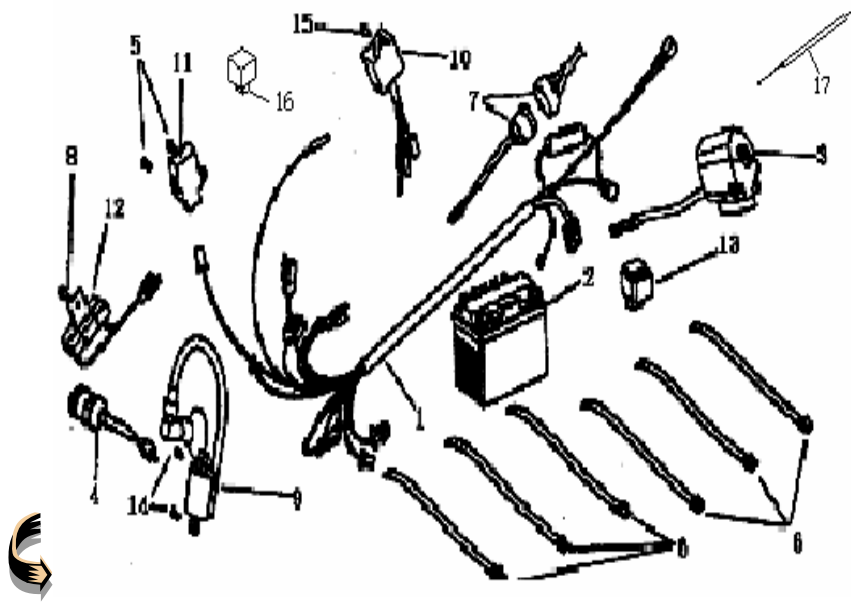
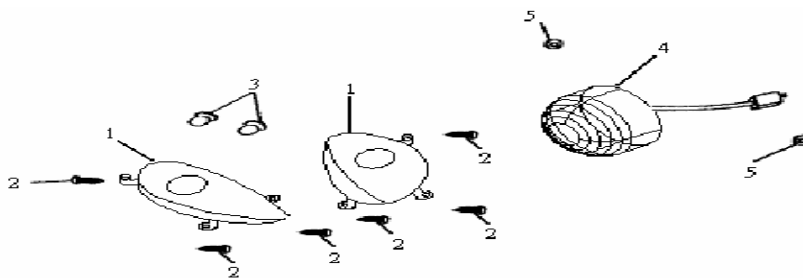


Fig.24 Electrical Parts 電裝品

NO	PART NUMBER	DES.	CHINESE	Q'ty	SPECIFICATION
1	FZ02-X2049-000	Electric Wire	主配線	1	
2	FZ02-GS-004	Battery	電瓶	1	GS-4L
3	FX21-X2049-000	Switch Ass'y, L.	左開關組合	1	
4	FZ07-X2049-000	Main Switch	電源鎖	1	
5	D02-05016	Bolt, Pan Phillips	十字圓頭螺絲	2	M5×16
6	D50-20025	Strap	束帶	6	ALT-200M-B
7	FZ12-X2049-000	Switch, Safety	安全開關	1	
8	K32-06012	Bolt, Hex., Washer Face	六角緣面螺栓	1	M6×12
9	FZ05-CX050-000	Coil, Ignition	高壓線圈	1	
10	FZ03-X2049-000	C.D.I Unit	C.D.I電子元件	1	遙控
11	FZ04-CX050-000	Rectifier & Regulator	整流穩壓器	1	
12	FZ09-CX050-000	Resistor	電阻器	1	
13	FZ06-CX050-000	Starter Relay	啟動電線	1	
14	G32-06022	Bolt, Hex., Washer Face	六角緣面螺栓	2	M6×22
15	G32-06016	Bolt, Hex., Washer Face	六角緣面螺栓	1	M6×16
16	FZ18-CX050-000	Direction Light Pelay	閃光器	1	6.4v
f	FU09-X2049-000	Choke Cable	阻風門導線	1	



2	G12-04016	Screw, Tapping	自攻螺絲	6	M4×16
3	FN02-X2049-000	Bulb, Head Light	前燈泡	2	12V-18/18W
4	FP00-X2049-000	Tail-Light	後燈組	1	
5	C04-0 4	Nut, Flange	六角螺帽	2	M 4

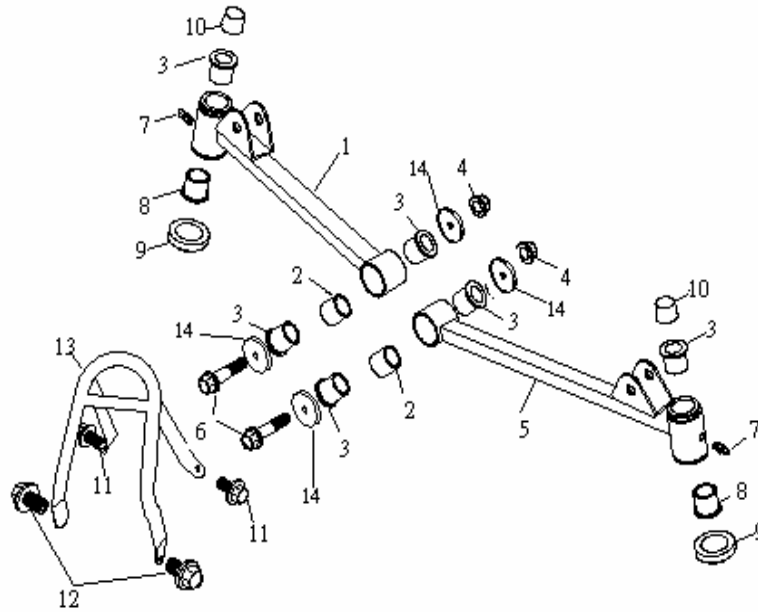
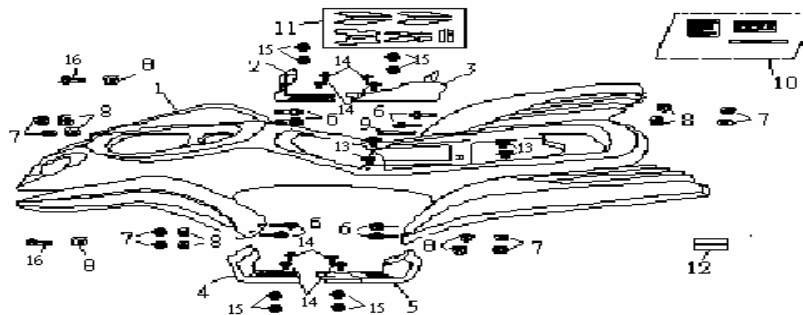


Fig.26 Swing Arm Footrest A臂

NO	PART NUMBER	DES.	CHINESE	Q'ty	SPECIEICATION
1	FH00-X2049-000	R.Rocker Arm	右A臂	1	
2	D22-101555	Bush A-arm	A臂襯管	2	
3	FI01-CX050-000	Bush, Contion Oil Up	A臂上壓套	6	Ø15.5
4	D33-10	Insert Lock Nut	U型止鬆螺帽	4	M10
5	FG00-X2049-000	L.Rocker Arm	左A臂	1	
6	K41-10048	Bolt, Hex Washer Face	六角緣面耐落螺栓	4	M10×48
7	D36-06	Grease Valve	黃油嘴	4	M6
8	FI02-CX050-000	Bush, Contion Oil Down	A臂下壓套	2	Ø17
9	FK04-CX050-000	Dustproof Rubber	防塵蓋(PK-6148)	2	26.6×36.4×9.5
10	FK03-CX050-000	Waterproof Rubber	防水蓋(PK-6143)	2	26×35.8×18.3
11	K32-06012	Bolt, Flange	六角緣面螺栓	2	M6×12
12	K32-08012	Bolt, Flange	六角緣面螺栓	2	M8×12
13	FI00-CX050-000	Fend Bar Ass'y	防護桿	1	
14	FF02-X2049-000	Dustproof Rubber	防塵蓋(OS8492)	4	10.5×26×32×8



4	FL23-BX050-000	L. Fixed Plate, Front Fender	左前腳踏板	1	
5	FL25-BX050-000	L. Fixed Plate, Rear Fender	左後腳踏板	1	
6	D55-06018	Bolt, Stair	十字圓頭雙階螺絲	14	M6×18
7	C04-06	Nut, Flange	六角緣面螺帽	8	M6
8	FK05-CX050-000	Rubber Mate	橡膠墊	10	10×22×3
9	FL05-CX050-000	Rubber Band (Battery)	電瓶固定帶-長	1	
10	FL17-X2049-00A	Sticker, Waring	使用警示貼紙	1	SET
11	GB04-X2049-000	Sticker	車殼整套貼紙	1	
12	GD04-BRAND-00	Aluminum Plate	機種標識貼紙	1	
13	G40-06012	Screw, Hex	十字扁頭螺絲	4	M6×12
14	K32-06030	Bolt, Flange	六角緣面螺絲	8	M6×30
15	K33-06	Nut, Nylon Insert Lock	U型止鬆螺帽	8	M6
16	K28-06016	Bolt, Hex.	六角螺絲附墊圈	2	M6